

Lobe knobs



• **Material**

High-resilience polypropylene based (PP) technopolymer. Resistant to solvents, oils, greases and other chemical agents.

• **Colour**

Black, matte finish.

• **Standard execution**

Brass boss, threaded pass-through hole.

Accessories on request

Coloured centre caps (see table).



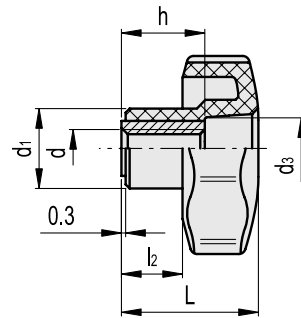
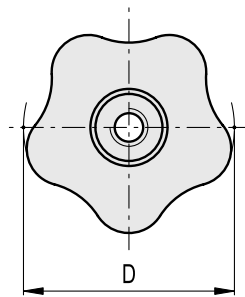
* Complete with colour index, example: CA.VCT.40-C2

C9	C2	C3	C4	C5	C6
RAL9005	RAL2004	RAL7035	RAL1021	RAL5024	RAL3000

Cap for	C9	C2	C3	C4	C5	C6	Description
	Code						
VCT.32	6900	6903	6904	6905	6906	6901	CA.VCT.32-*
VCT.40	6910	6913	6914	6915	6916	6911	CA.VCT.40-*
VCT.50	6920	6923	6924	6925	6926	6921	VCT.50-*
VCT.63-74-95	6930	6933	6934	6935	6936	6931	VCT.63-74-95-*



Conversion Table	
1 mm = 0.039 inch	
D	
mm	inch
32	1.26
40	1.57
50	1.97
63	2.48
74	2.91



Code	Description	D	d _{6H}	L	d ₁	d ₃	l ₂	h	⚖
69847	VCT.32 FP-M5	32	M5	23	15	10	10	12	11
69848	VCT.32 FP-M6	32	M6	23	15	10	10	12	10
69849	VCT.32 FP-M8	32	M8	23	15	10	10	12	9
69897	VCT.40 FP-M6	40	M6	27	17	12	12	18	26
69898	VCT.40 FP-M8	40	M8	27	17	12	12	18	24
69899	VCT.40 FP-M10	40	M10	27	17	12	12	17	23
69956	VCT.50 FP-M8	50	M8	32	19	15	14	20	38
69957	VCT.50 FP-M10	50	M10	32	19	15	14	20	34
69958	VCT.50 FP-M12	50	M12	32	19	15	14	20	30
70016	VCT.63 FP-M8	63	M8	37	22	19	16	26	44
70017	VCT.63 FP-M10	63	M10	37	22	19	16	26	42
70018	VCT.63 FP-M12	63	M12	37	22	19	16	26	40
70067	VCT.74 FP-M12	74	M12	43.5	26	17	22	26	56
70068	VCT.74 FP-M14	74	M14	43.5	26	17	22	26	52
70069	VCT.74 FP-M16	74	M16	43.5	26	17	22	31	54

